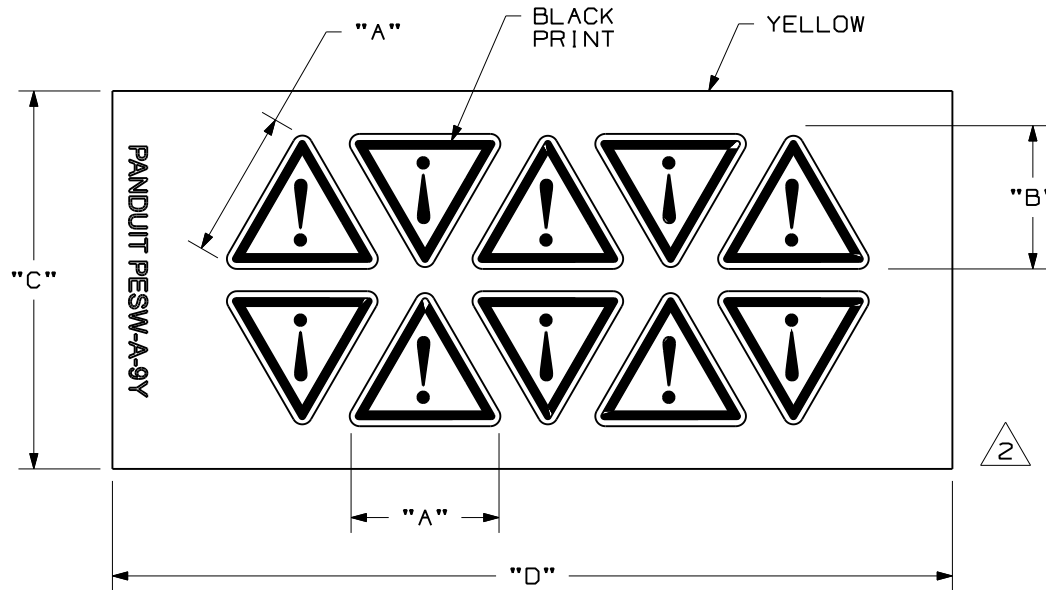


THIS COPY IS PROVIDED ON A RESTRICTED BASIS AND IS NOT TO BE USED IN ANY WAY DETRIMENTAL TO THE INTERESTS OF PANDUIT CORP.

PART NAME	NUMBER OF LABELS PER CARD	"A"	"B"	"C"	"D"
PESW-A-*Y	10	.430 [11.01]	.41 [10.4]	1.125 [28.6]	2.50 [63.5]
PESW-B-*Y	10	.900 [22.86]	.785 [19.9]	2.00 [50.79]	5.00 [127.0]
PESW-C-*Y	10	1.820 [46.23]	1.61 [40.9]	4.375 [111.1]	10.00 [254.0]
PESW-D-*Y	3	3.650 [92.71]	3.20 [81.3]	4.00 [101.6]	10.00 [254.0]
PESW-E-*Y	1	7.280 [185]	6.82 [173.2]	N/A	N/A

NOTES:
 1. MILLIMETER ARE IN [].
 2. 10 CARD PER PACKAGE.

PART NO.	LEGEND
PESW--1Y	
PESW--6Y	
PESW--8Y	
PESW--9Y	
PESW--11Y	



CAD FILENAME/LAYERS 100318JW_DC_C10664/02C

PANDUIT CORP. TINLEY PARK, ILLINOIS

CUSTOMER DRAWING
 PESW ISO LABELS

REV	DATE	BY	CHK	DESCRIPTION	ECN	R	CUST	SUP
2	02/05/09	JHAC		CHANGED REFERENCE PART SHOWN FROM PESW-A-BY TO PESW-A-9Y, MODIFIED DIMENSION REFERENCE POINTS	5671	R		
1	11/10/08	JHAC		ADDED TABLE. CHANGED DIMENSIONS TO LETTER FORMAT, REMOVED NOTE 2, CHANGED NOTE 3 TO 2, CHANGED NAME FROM PESW-A-*Y TO PESW ISO LABELS.	5585	R		
0	7/22/08	RVU		DRAWING RELEASE	5363	R		

UNLESS OTHERWISE SPECIFIED, DIMENSIONAL TOLERANCES ARE: (.X) ± .1 (.XXX) ± .025 (.XX) ± .062 ANGLES ± 5°		UNLESS OTHERWISE SPECIFIED, ALL DIMENSIONS ARE GIVEN IN INCHES, THIRD ANGLE PROJECTION.	
DRAWN BY RVU	MAT'L: GMV1-OL VINYL FILM	SCALE NTS	DWG A SIZE
DATE 3/24/08	CHK'D	DRAWING NO. C10664	